



# TECH FACE

TOWARDS EXCELLENCE

## BUSINESS BROCHURE

2022-2023



[WWW.TECHFACEINDIA.COM](http://WWW.TECHFACEINDIA.COM)

**TECH FACE FURNITURES INDIA PVT LTD**

57-B, Shanthi Farms, Thanneerpanthal Road, Near Kumudham Nagar, Coimbatore - 641035.

## PROFILE

TECHFACE FURNITURES INDIA PVT LTD was established in 2014, in the name of GEM INSTITUTIONAL FURNITURE, located in Coimbatore, Tamilnadu, India. The factory is in Coimbatore VK.Road, Industrial Estate near to International Airport. We are specialized in manufacturing and marketing of Institutional Furniture like Classroom Furniture, Laboratories, Libraries and Office Furniture, with almost 10 years experience with the plant occupies a total area of about 10,000 sq.ft, Own employing directly and indirectly 100 personal and professional sales, designers and production engineers. We have separate workshop for blanking, laser cutting, deep drawing, welding, powder coating, electro plating, wood working process.

These complete manufacturing facilities are complemented by strong technical force. Our product series presently include student Desk and Bench or Chairs, Teacher Table and Chairs, Library Book Shelves, Racks, Reading Table, Green Board, White Board, Laboratory Furniture, Training Room Furniture, Lecture Theatres, Canteen Furniture and Office Furniture. These series are mainly made from treated Wood or Plywood and tubular steel available in various designs and models.

We provide excellent product with satisfying after sales service. Our products sell well in state and national markets. The south indian market is directly handled by our sales team and rest of the states through sales partners. With the sustained business conception of quality is the first and value for money is the next, we gain the high trust from customers.



**TECH FACE**

TOWARDS EXCELLENCE

**INSTITUTIONAL  
FURNITURE**

**TECH FACE FURNITURES INDIA PVT LTD**

57-B, Shanthi Farms, Thanneerpanthal Road, Near Kumudham Nagar, Coimbatore - 641035.



## LEVELER SERIES



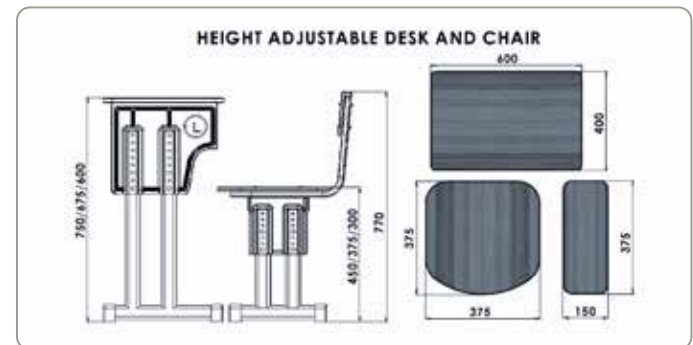
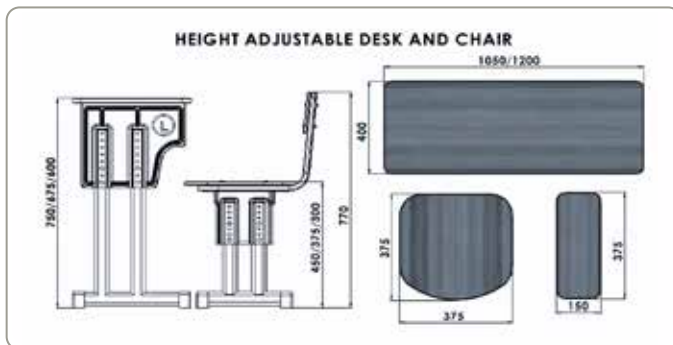
### LEVELER - ALFA - 001

Desk : L 1050 x W 400 x H 600 - 750  
Chair : L 375 x W 375 x H 300 - 450



### LEVELER - ALFA - 002

Desk : L 600 x W 400 x H 600 - 750  
Chair : L 375 x W 375 x H 300 - 450



### Specification

- Plywood Desk Top & Seat / Backrest
- Epoxy Spray Coated Paint Finish
- Height Adjustable Desk & Chairs
- Bottom Bush & Quality Fasteners



## LEVELER SERIES



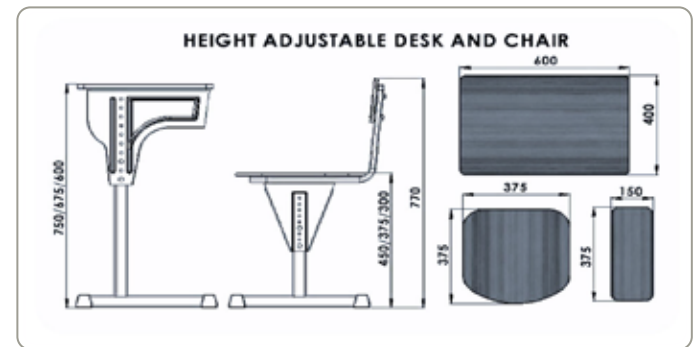
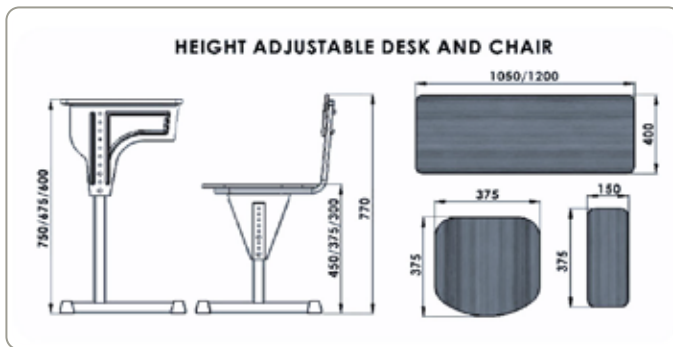
### LEVELER - GENIUS - 001

Desk : L 1050 x W 400 x H 600 - 750  
Chair : L 375 x W 375 x H 300 - 450



### LEVELER - GENIUS - 002

Desk : L 600 x W 400 x H 600 - 750  
Chair : L 375 x W 375 x H 300 - 450



### Specification

- Plywood Desk Top & Seat / Backrest
- Epoxy Spray Coated Paint Finish
- Height Adjustable Desk & Chairs
- Bottom Bush & Quality Fasteners



## VENUS SERIES



**VENUS - PL - 001**

Desk : L 1050 x W 400 x H 675 - 750

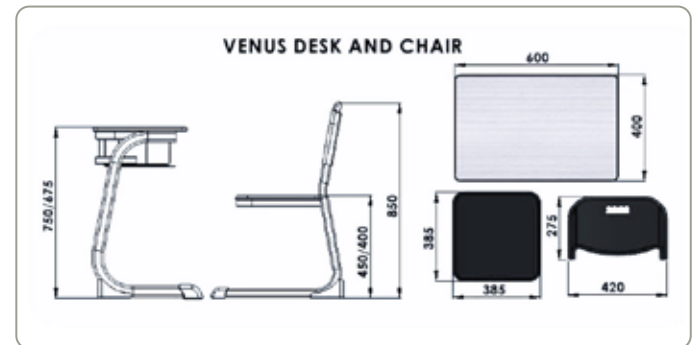
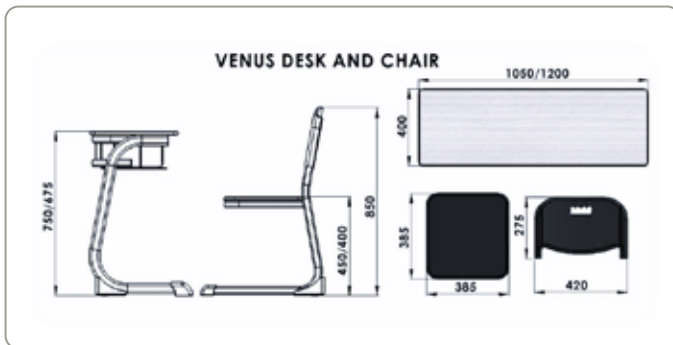
Chair : L 385 x W 385 x H 400 - 450



**VENUS - PL - 002**

Desk : L 600 x W 400 x H 675 - 750

Chair : L 385 x W 385 x H 400 - 450



### Specification

- Plywood Desk Top & Seat / Backrest
- Epoxy Spray Coated Paint Finish
- Plywood Desk Top & Plastic Seat / Backrest
- Bottom Bush & Quality Fasteners



## VENUS SERIES



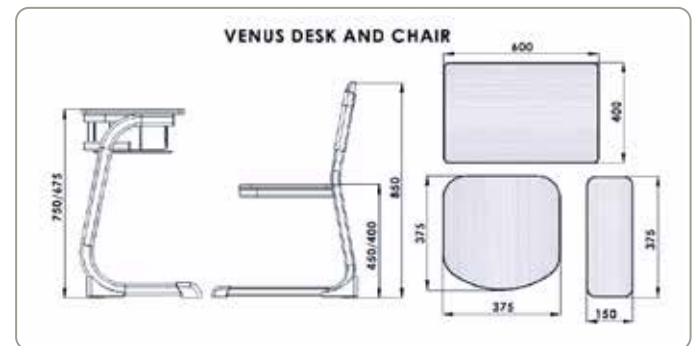
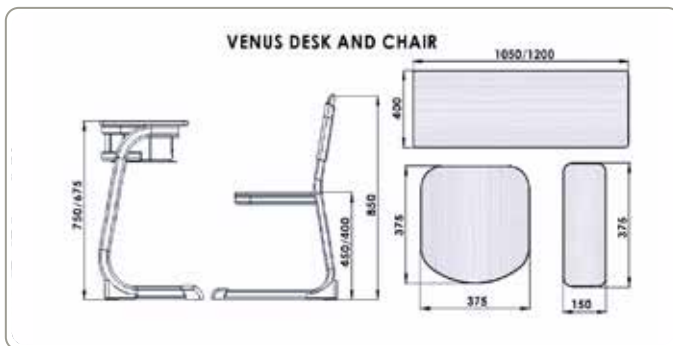
**VENUS - WD - 001**

Desk : L 1050 x W 400 x H 675 - 750  
Chair : L 375 x W 375 x H 400 - 450



**VENUS - WD - 002**

Desk : L 600 x W 400 x H 675 - 750  
Chair : L 375 x W 375 x H 400 - 450



### Specification

- Plywood Desk Top & Seat / Backrest
- Epoxy Spray Coated Paint Finish
- Height Customization Available
- Bottom Bush & Quality Fasteners



## INTEG 700 SERIES



### INTEG 700 - 4S - 001

Desk : L 1800 x W 400 x H 750

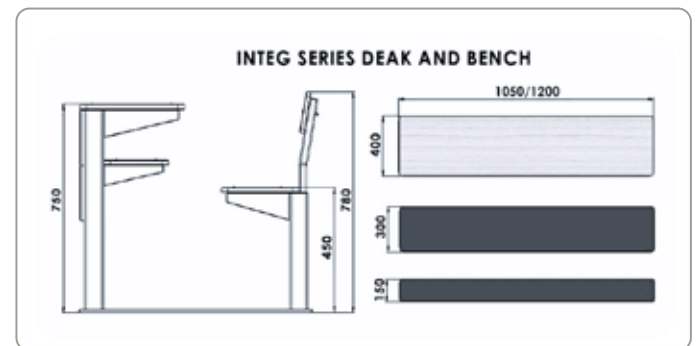
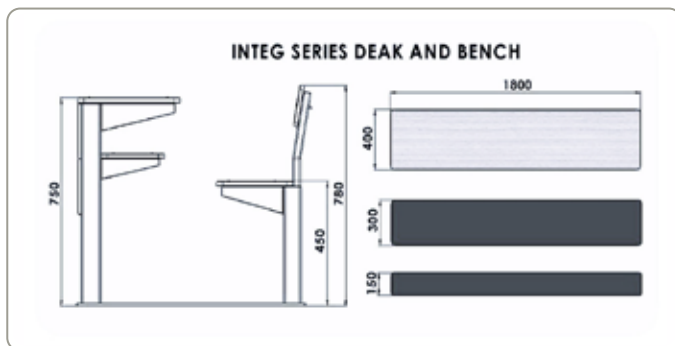
Bench : L 1800 x W 300 x H 450



### INTEG 700 - DS - 001

Desk : L 1050 x W 400 x H 750

Bench : L 1050 x W 300 x H 450



### Specification

- Plywood Desk Top & Seat / Backrest
- Epoxy Spray Coated Paint Finish
- Height Customization Available
- Bottom Bush & Quality Fasteners





## INTEG 700 SERIES



### INTEG 700 - 4S - 002

Desk : L 1800 x W 400 x H 750

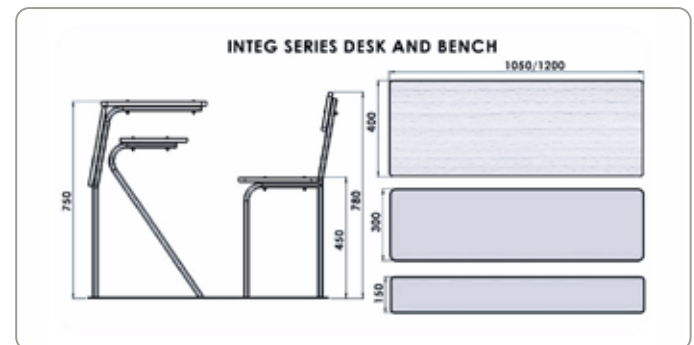
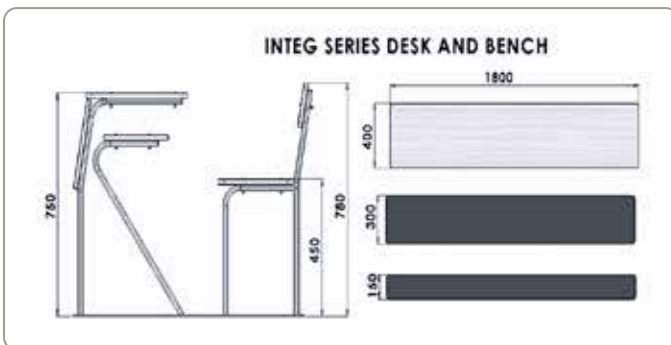
Bench : L 1800 x W 300 x H 450



### INTEG 700 - DS - 002

Desk : L 1050 x W 400 x H 750

Bench : L 1050 x W 300 x H 450



### Specification

- Plywood Desk Top & Seat / Backrest
- Epoxy Spray Coated Paint Finish
- Height Customization Available
- Bottom Bush & Quality Fasteners



## INTEG 700 SERIES



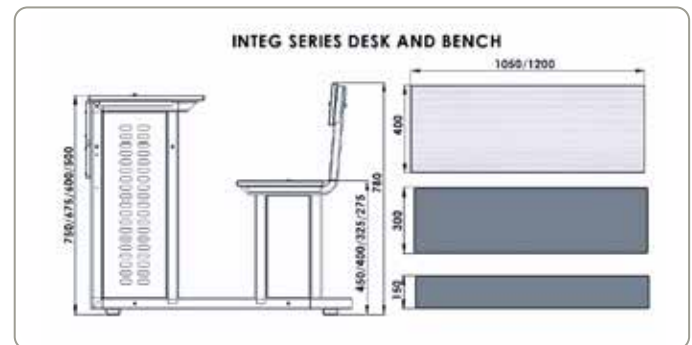
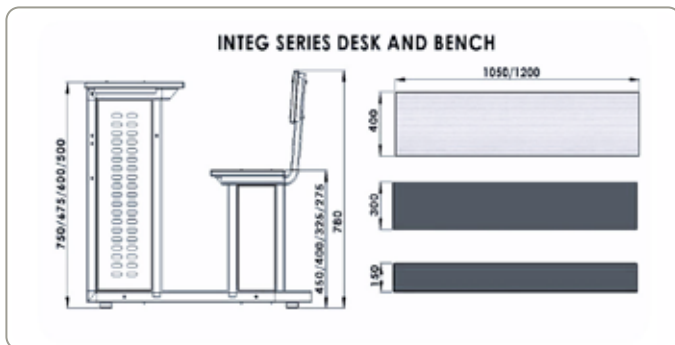
### INTEG 700 - 4S - 003

Desk : L 1800 x W 400 x H 500 - 750  
Bench : L 1800 x W 300 x H 275 - 450



### INTEG 700 - DS - 003

Desk : L 1050 x W 400 x H 500 - 750  
Bench : L 1050 x W 300 x H 275 - 450



### Specification

- Plywood Desk Top & Seat / Backrest
- Epoxy Spray Coated Paint Finish
- Height Customization Available
- Bottom Bush & Quality Fasteners



## INTEG 700 SERIES



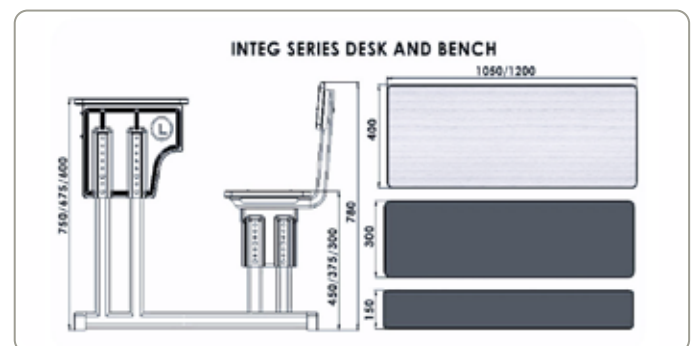
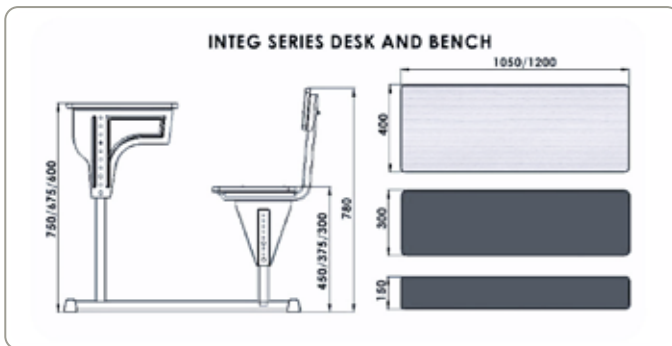
**INTEG 700 - DS - 004**

Desk : L 1050 x W 400 x H 600 - 750  
Bench : L 1050 x W 300 x H 300 - 450



**INTEG 700 - DS - 005**

Desk : L 1050 x W 400 x H 600-750  
Bench : L 1050 x W 300 x H 300 - 450



### Specification

- Plywood Desk Top & Seat / Backrest
- Epoxy Spray Coated Paint Finish
- Height Adjustable Desk & Bench
- Bottom Bush & Quality Fasteners



## INTEG 700 SERIES



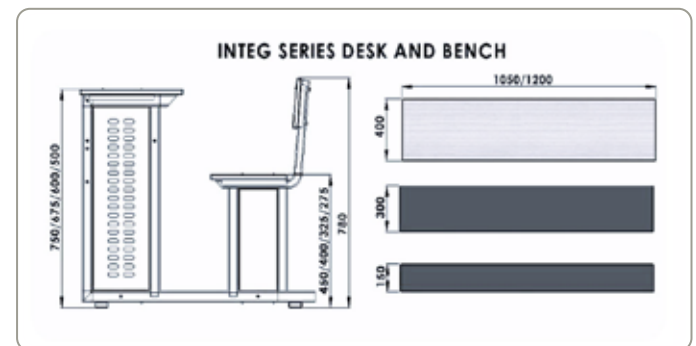
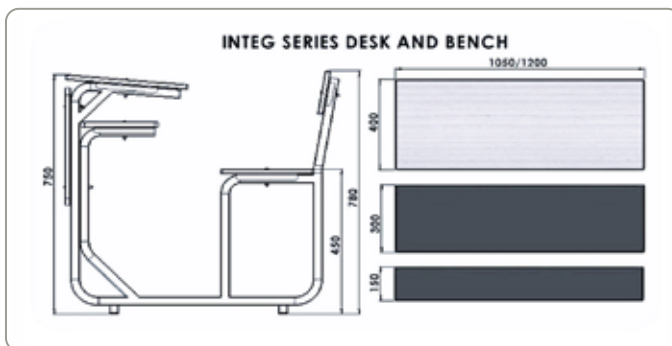
**INTEG 700 - DS - 006**

Desk : L 1050 x W 400 x H 750  
Bench : L 1050 x W 300 x H 450



**INTEG 700 - DS - 007**

Desk : L 1050 x W 400 x H 750  
Bench : L 1050 x W 300 x H 450



### Specification

- Plywood Desk Top & Seat / Backrest
- Epoxy Spray Coated Paint Finish
- Height Customization Available
- Bottom Bush & Quality Fasteners



## INTEG 700 SERIES



**INTEG 700 - DS - 008**

Desk : L 1050 x W 400 x H 750

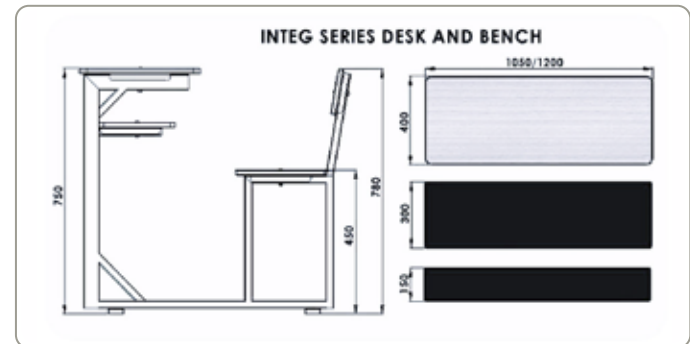
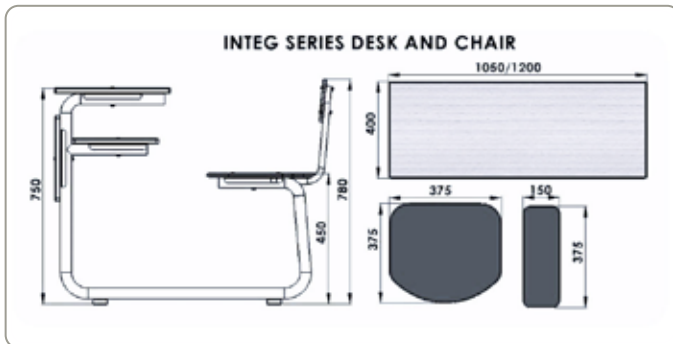
Chair : L 375 x W 375 x H 450



**INTEG 700 - DS - 009**

Desk : L 1050 x W 400 x H 750

Bench : L 1050 x W 300 x H 450



### Specification

- Plywood Desk Top & Seat / Backrest
- Epoxy Spray Coated Paint Finish
- Height Customization Available
- Bottom Bush & Quality Fasteners





## HERCULES SERIES



**HERCULES - DS - 001**

Desk : L 1050 x W 400 x H 750

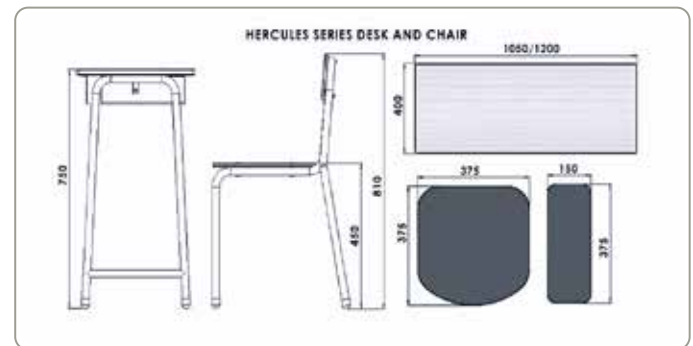
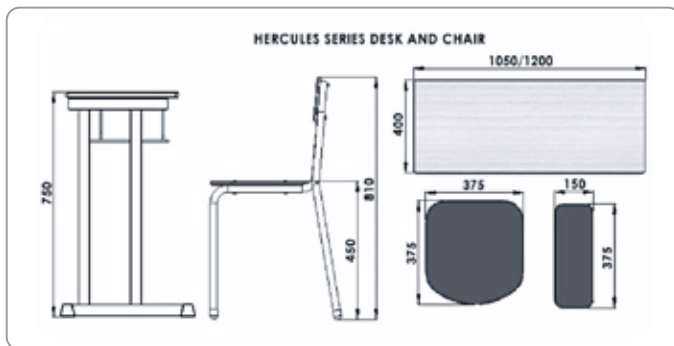
Chair : L 375 x W 375 x H 450



**HERCULES - DS - 002**

Desk : L 1050 x W 400 x H 750

Chair : L 375 x W 375 x H 450



### Specification

- Plywood Desk Top & Seat / Backrest
- Epoxy Spray Coated Paint Finish
- Free Standing Desk & Chairs
- Bottom Bush & Quality Fasteners



## HERCULES SERIES



### HERCULES - DS - 003

Desk : L 1050 x W 400 x H 750

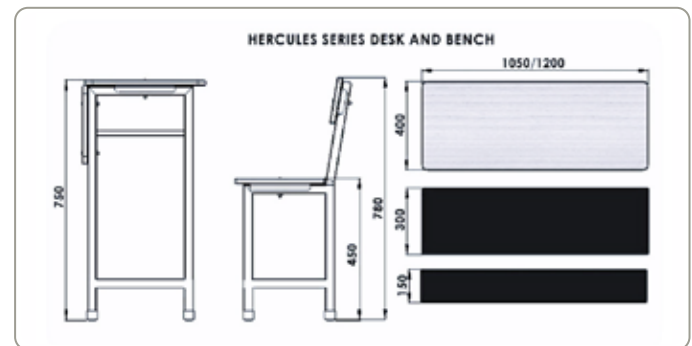
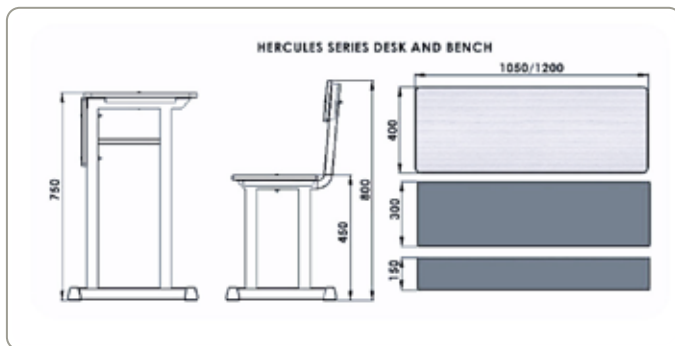
Bench : L 1050 x W 300 x H 450



### HERCULES - DS - 004

Desk : L 1050 x W 400 x H 750

Bench : L 1050 x W 300 x H 450



### Specification

- Plywood Desk Top & Seat / Backrest
- Epoxy Spray Coated Paint Finish
- Free Standing Desk & Chair
- Bottom Bush & Quality Fasteners



## HERCULES SERIES



### HERCULES - DS - 005

Desk : L 1050 x W 400 x H 750

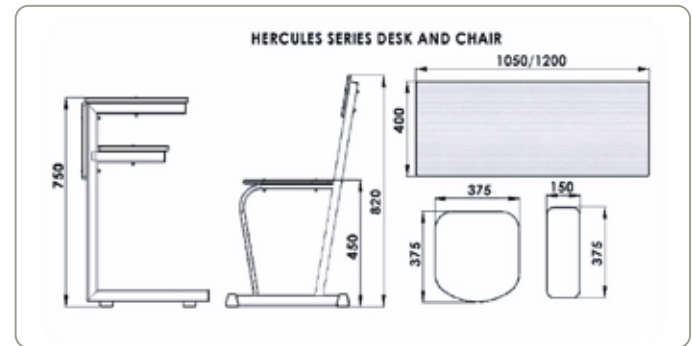
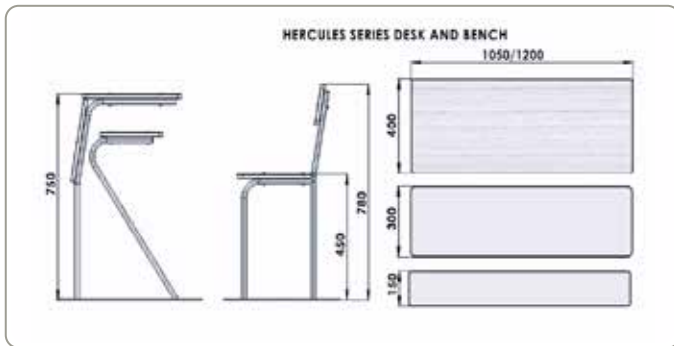
Bench : L 1050 x W 300 x H 450



### HERCULES - DS - 006

Desk : L 1050 x W 400 x H 750

Chair : L 375 x W 375 x H 450



### Specification

- Plywood Desk Top & Seat / Backrest
- Epoxy Spray Coated Paint Finish
- Free Standing Desk & Chairs
- Bottom Bush & Quality Fasteners





## SOLO SERIES



**SOLO - SS - 001**

Desk : L 600 x W 400 x H 750

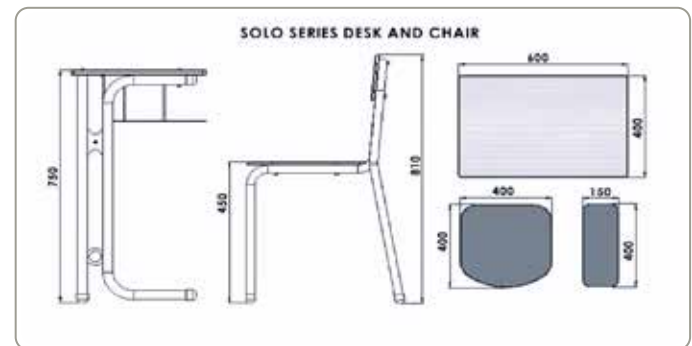
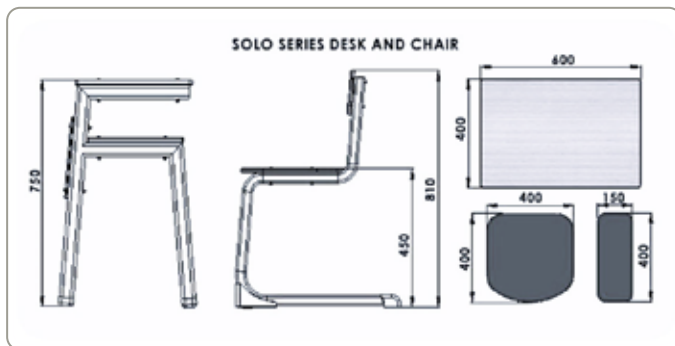
Chair : L 400 x W 400 x H 450



**SOLO - SS - 002**

Desk : L 600 x W 400 x H 750

Chair : L 400 x W 400 x H 450



### Specification

- Plywood Desk Top & Seat / Backrest
- Epoxy Spray Coated Paint Finish
- Free Standing Desk & Chair
- Bottom Bush & Quality Fasteners



## SOLO SERIES



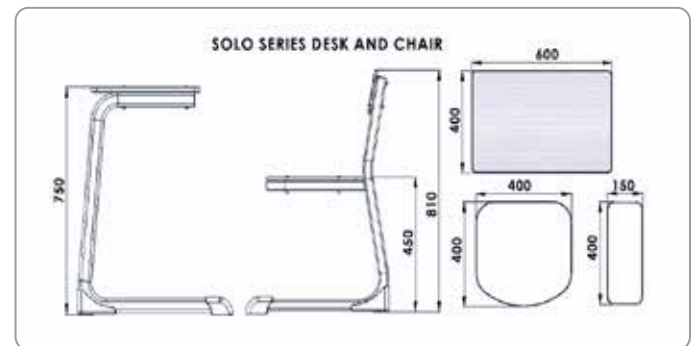
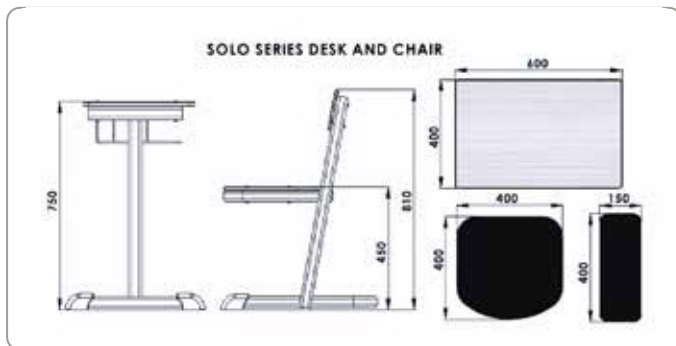
**SOLO - SS - 003**

Desk : L 600 x W 400 x H 750  
Chair : L 400 x W 400 x H 450



**SOLO - SS - 004**

Desk : L 600 x W 400 x H 750  
Chair : L 400 x W 400 x H 450



### Specification

- Plywood Desk Top & Seat / Backrest
- Epoxy Spray Coated Paint Finish
- Free Standing Desk & Chair
- Bottom Bush & Quality Fasteners



## SOLO SERIES



### SOLO - SS - 005

Desk : L 600 x W 400 x H 750

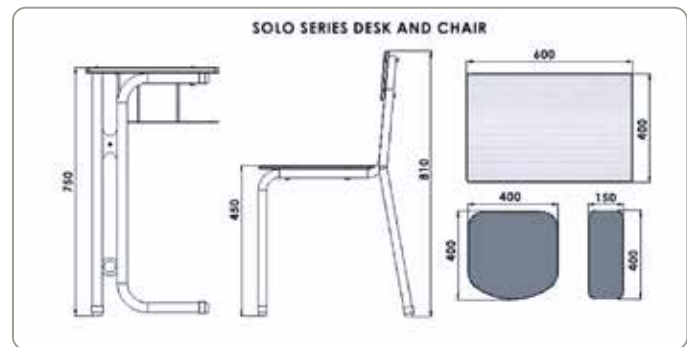
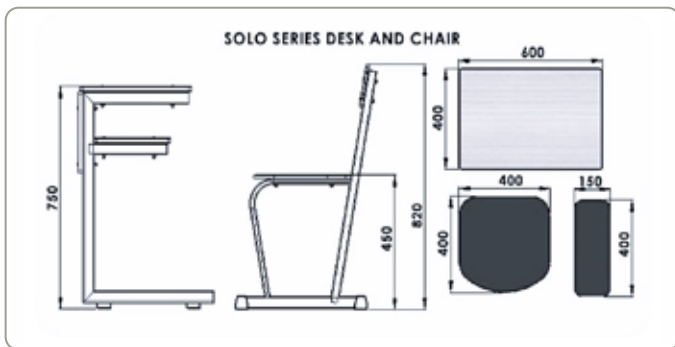
Chair : L 400 x W 400 x H 450



### SOLO - SS - 006

Desk : L 600 x W 400 x H 750

Chair : L 400 x W 400 x H 450



### Specification

- Plywood Desk Top & Seat / Backrest
- Epoxy Spray Coated Paint Finish
- Free Standing Desk & Chair
- Bottom Bush & Quality Fasteners



**TECH FACE**

TOWARDS EXCELLENCE

**KIDS & GROUP  
FURNITURE**

**TECH FACE FURNITURES INDIA PVT LTD**

57-B, Shanthi Farms, Thanneerpanthal Road, Near Kumudham Nagar, Coimbatore - 641035.

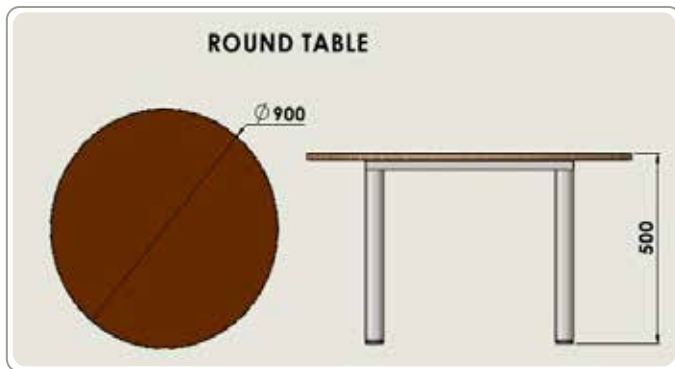


## KIDS SERIES



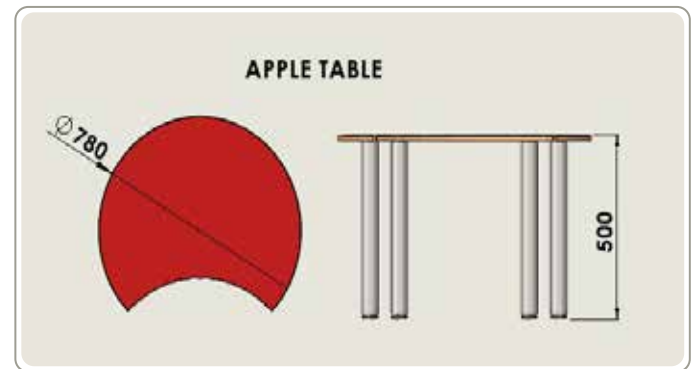
### ROUND TABLE

Table : D 900 x H 500  
Chair : L 275 x W 275 x H 275



### APPLE TABLE

Table : D 780 x H 500  
Chair : L 275 x W 275 x H 275



### Specification

- Plywood Desk Top & Seat / Backrest
- Free Standing Desk & Chair
- Epoxy Spray Coated Paint Finish
- Bottom Bush & Quality Fasteners



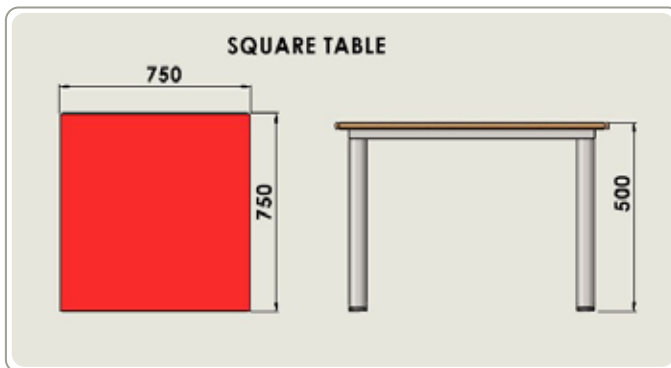
## KIDS SERIES



### SQUARE TABLE

Table : L 750 x W 750 x H 500

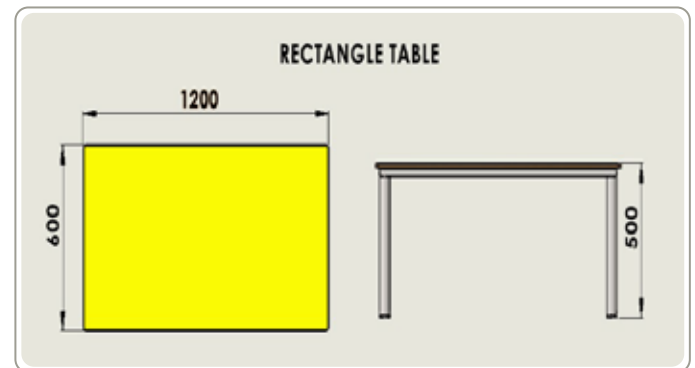
Chair : L 275 x W 275 x H 275



### RECTANGLE TABLE

Table: L 1200 x W 600 x H 500

Chair : L 275 x W 275 x H 275



### Specification

- Plywood Desk Top & Seat / Backrest
- Free Standing Desk & Chair
- Epoxy Spray Coated Paint Finish
- Bottom Bush & Quality Fasteners



## KIDS SERIES



### TRAPEZIUM TABLE

Table : L 900 x W 500 x H 500

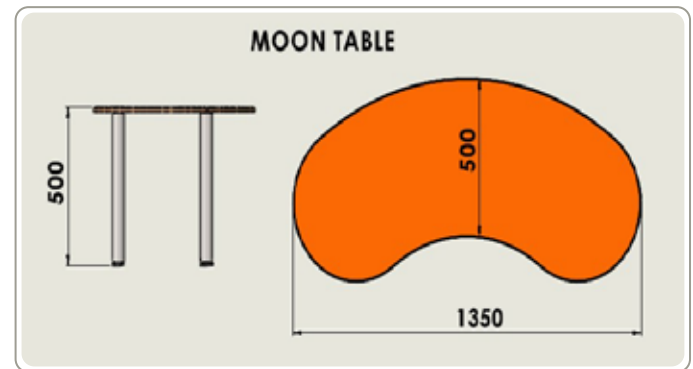
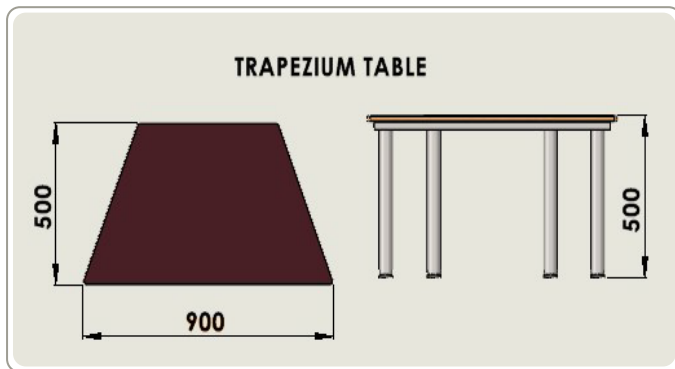
Chair : L 275 x W 275 x H 275



### MOON TABLE

Table : L 1350 x W 500 x H 500

Chair : L 275 x W 275 x H 275



### Specification

- Plywood Desk Top & Seat / Backrest
- Epoxy Spray Coated Paint Finish
- Free Standing Desk & Chair
- Bottom Bush & Quality Fasteners





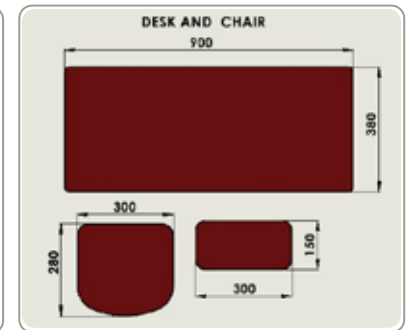
## GROUP SERIES



GF : 001



GF : 002



### Specification

- Plywood Desk Top & Seat / Backrest
- Epoxy Spray Coated Paint Finish
- Free Standing Desk & Chair
- Bottom Bush & Quality Fasteners





## GROUP SERIES



GF : 003



GF : 004



GF : 005

### Specification

- Plywood Desk Top & Seat / Backrest
- Epoxy Spray Coated Paint Finish
- Free Standing Desk & Chair
- Bottom Bush & Quality Fasteners



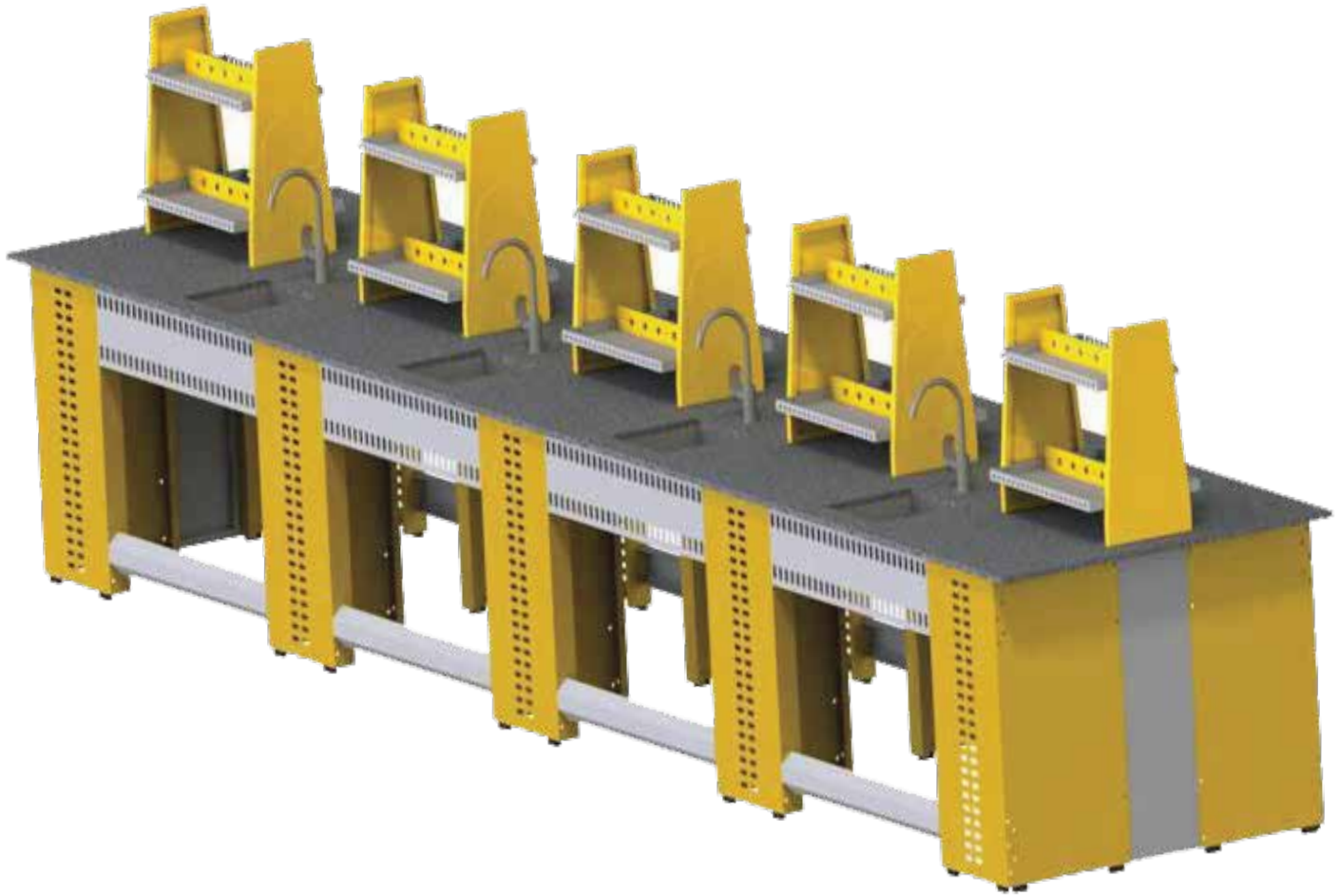
**TECH FACE**

TOWARDS EXCELLENCE

**LABORATORY  
FURNITURE**

**TECH FACE FURNITURES INDIA PVT LTD**

57-B, Shanthi Farms, Thanneerpanthal Road, Near Kumudham Nagar, Coimbatore - 641035.



# Tech Face

Laboratory Furniture



## Tech Face

Techface custom Laboratory series, offers limitless design possibilities when creating the perfect educational space. With your design imagination and this flexible series, you can create a learning environment that meets your specific requirements.

Tech Face is pleased to offer:

- Field measurements (when applicable)
- Detailed Floor drawings
- Renderings
- Installation supervision

# Laboratory Furniture (6 feet)



## Laboratory Size (in mm)

Subject	L	W	H
Physics	1800	1200	900
Chemistry	1800	1200	900
Biology	1800	1200	900

The above series available with and without Bottom Storage options.



# Laboratory Furniture (8 feet)



## Laboratory Size (in mm)

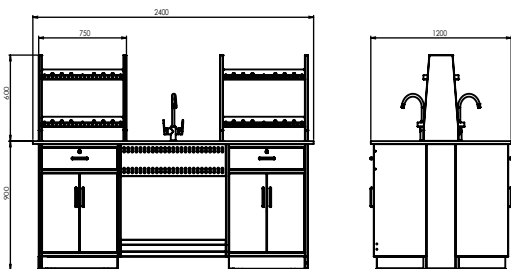
Subject	L	W	H
Physics	2400	1200/1500	900
Chemistry	2400	1200/1500	900
Biology	2400	1200/1500	900

The above Island sizes available with and without bottom Storage options.

Laboratory long tables available as per customer requirements with and without storage in all categories like Physics, Chemistry and Biology.

# Specification Guide

## 1 CAD drawing



## 2 Table specifications

### a Top material

- Granite
- Plywood

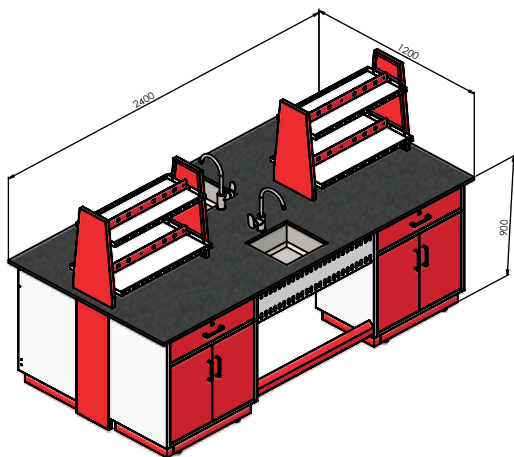
### b Edge profile

- Select style

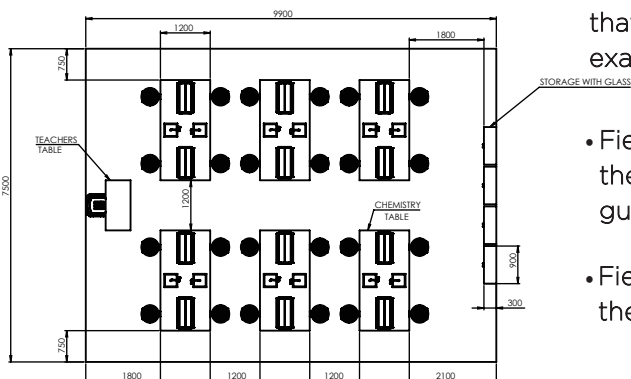
### c Options

- Power
- Gas
- Modesty
- Sink & tap
- Reagent Rack

## 3 Preliminary drawing/render and quote for approval



## 4 Field measurement and drawing



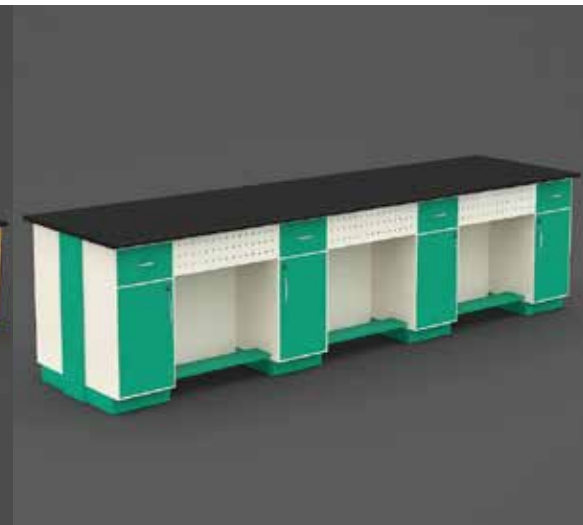
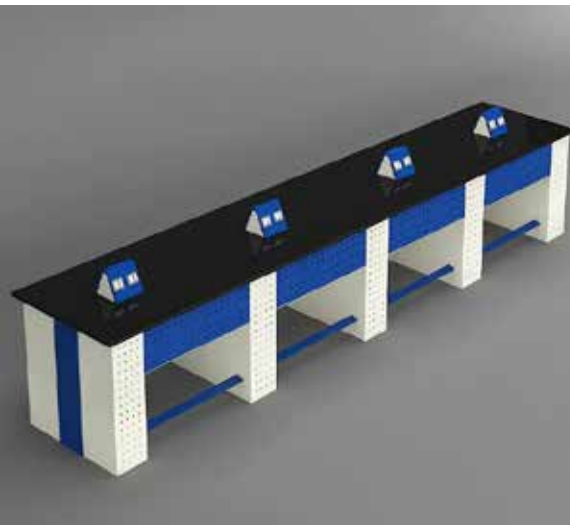
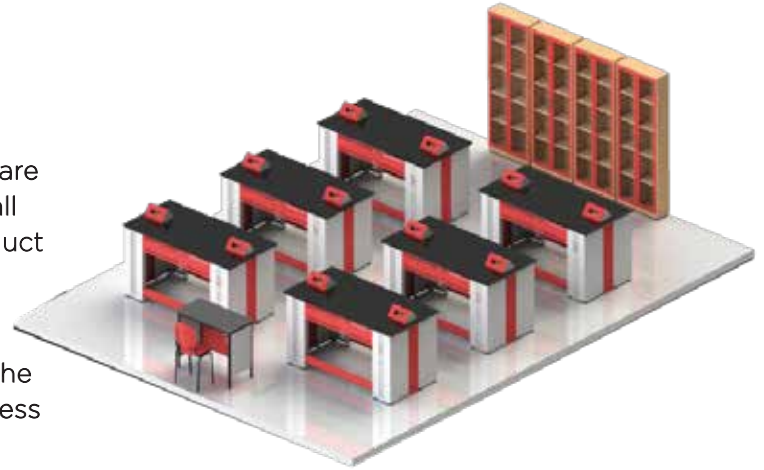
In addition to custom quoting, Techface offers field measurements to ensure that your hall table are designed and positioned precisely to meet your exact specification.

- Field measurement is performed by one of Techface engineers, who apply their detailed knowledge of the product and study of the project plans, to guarantee the preparations and shop drawings are precise.
- Field measurements ensures that Techface Laboratory tables fits in the desired space with accuracy.

# Specification Guide

## 5 Installation supervision

- Once field measurements are made, and all the drawings are finalized, Techface can provide supervision of your Lab hall installation. Our supervisors, who rely on their expert product knowledge and familiarity with the intricacies of Lab hall projects, provide assurance that the installation is a success.
- Techface specialists offer the expertise needed to meet the requirements of your Lab hall project and ensure a seamless installation.
- By taking ownership of the project, Techface accepts the responsibility that our Lab hall tables are installed to the end users exact Specification.









**TECH FACE**

TOWARDS EXCELLENCE

**COMPUTER TABLE,  
TEACHER TABLE,  
STUDY TABLE**

**TECH FACE FURNITURES INDIA PVT LTD**

57-B, Shanthi Farms, Thanneerpanthal Road, Near Kumudham Nagar, Coimbatore - 641035.



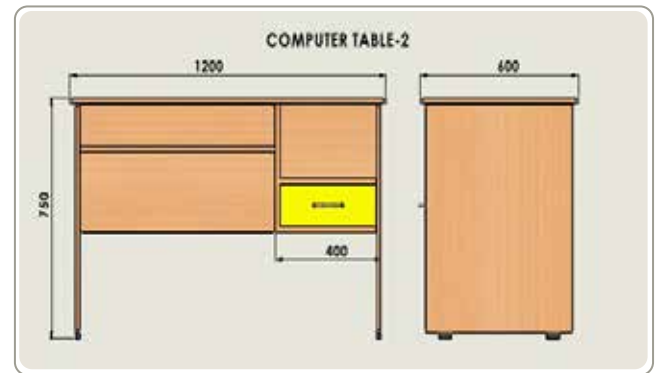
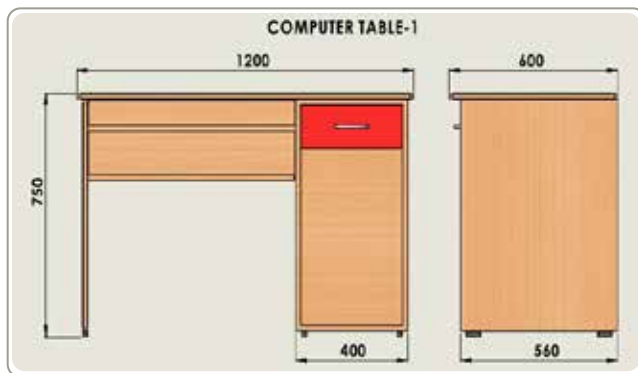
## COMPUTER TABLE SERIES



CPT : 001



CPT : 002

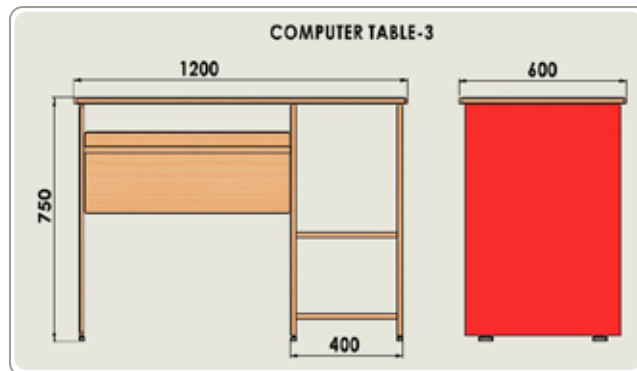




**COMPUTER TABLE SERIES**



**CPT : 003**





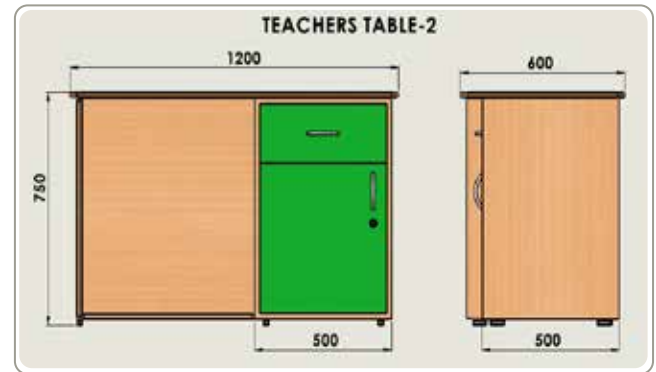
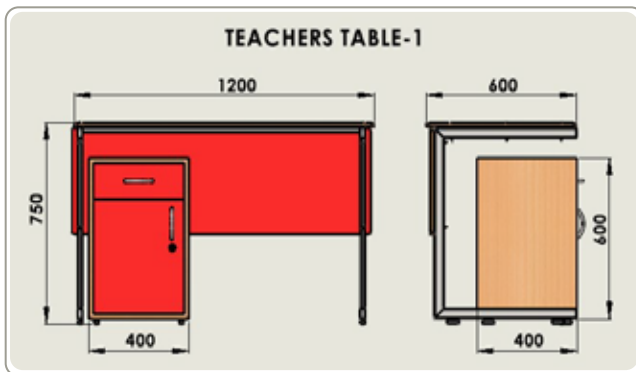
## TEACHER TABLE SERIES



TT : 001



TT : 002

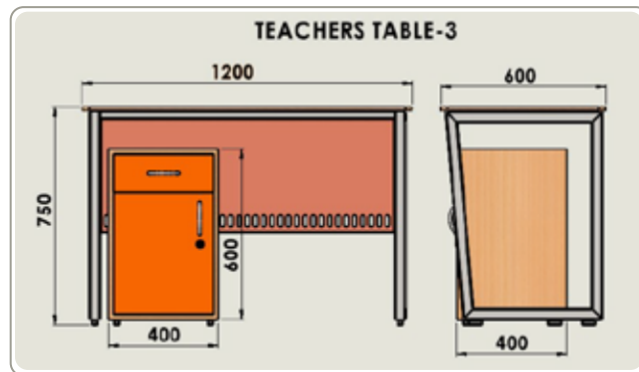




**TEACHER TABLE SERIES**



**TT : 003**





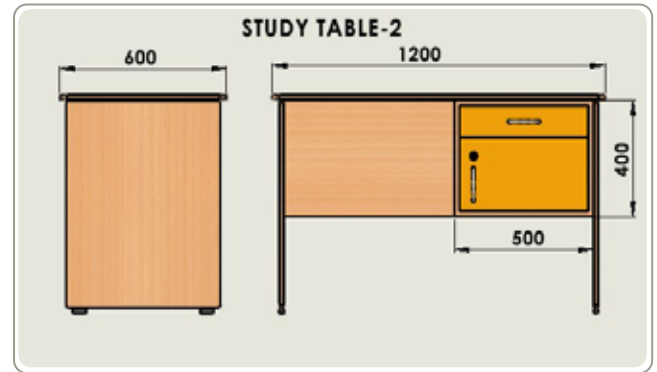
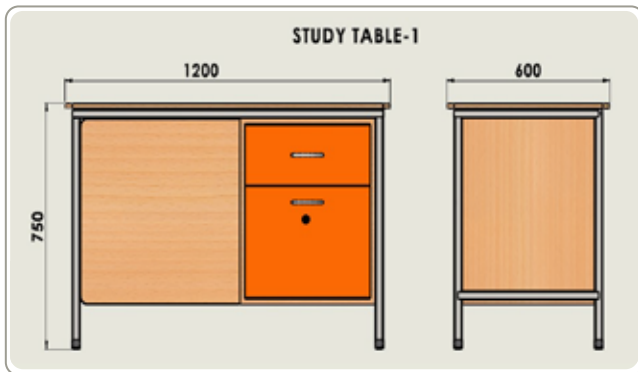
## STUDY TABLE SERIES



SYT : 001



SYT : 002





**STUDY TABLE SERIES**



**SYT : 003**







**TECH FACE**

TOWARDS EXCELLENCE

**LIBRARY  
FURNITURE**

**TECH FACE FURNITURES INDIA PVT LTD**

57-B, Shanthi Farms, Thanneerpanthal Road, Near Kumudham Nagar, Coimbatore - 641035.



## LIBRARY SERIES



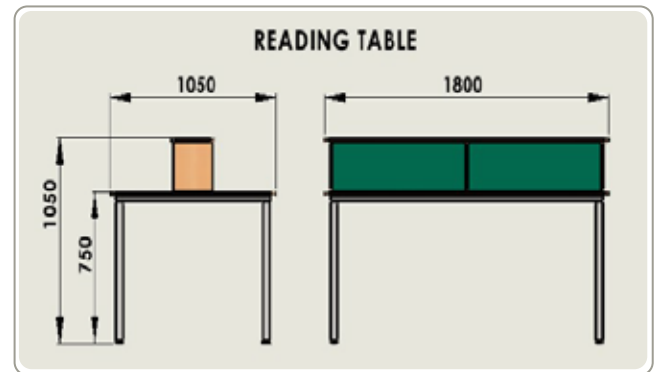
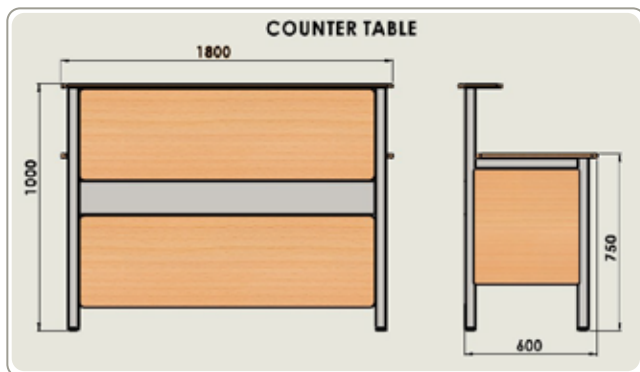
**COUNTER TABLE**

Size : L 1800 x W 600 x H 1000



**READING TABLE**

Size : L 1800 x W 1050 x H 1050



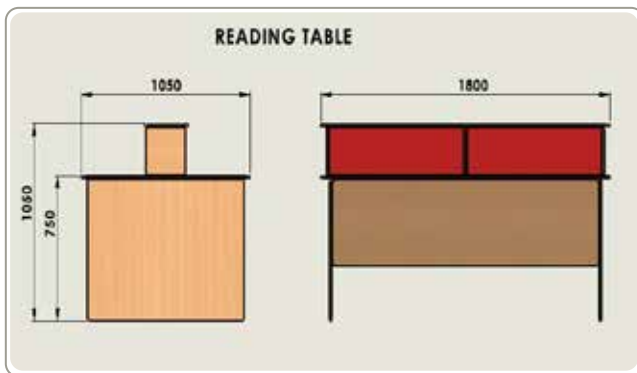


## LIBRARY SERIES



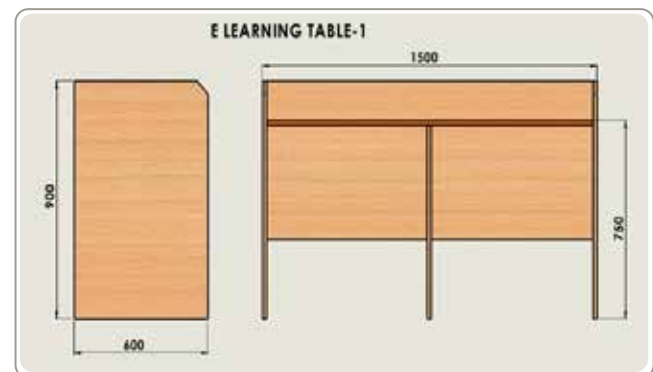
**READING TABLE**

Size : L 1800 x W 1050 x H 1050



**E-LEARNING TABLE : 1**

Size : L 1500 x W 600 x H 900

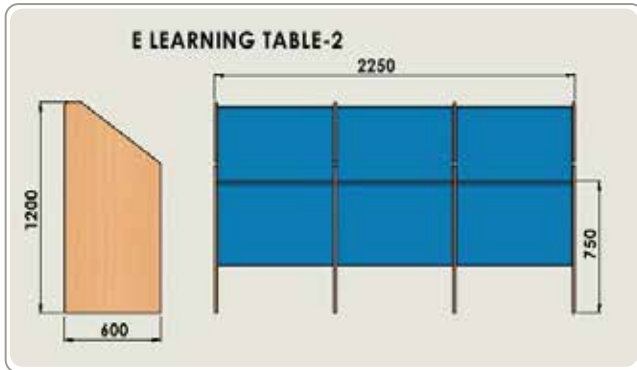




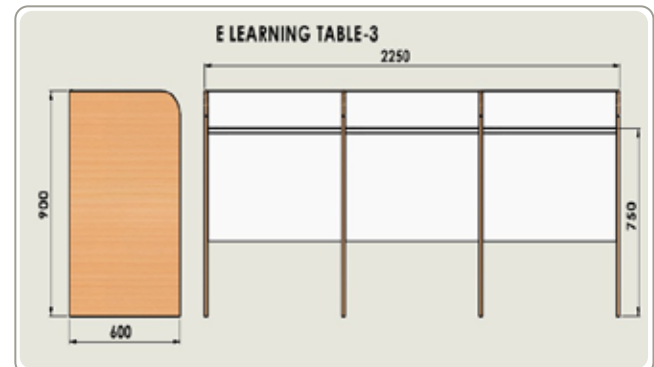
## LIBRARY SERIES



**E - LEARNING TABLE : 2**  
Size : L 2250 x W 600 x H 1200



**E - LEARNING TABLE : 3**  
Size : L 1500 x W 600 x H 900





## LIBRARY SERIES



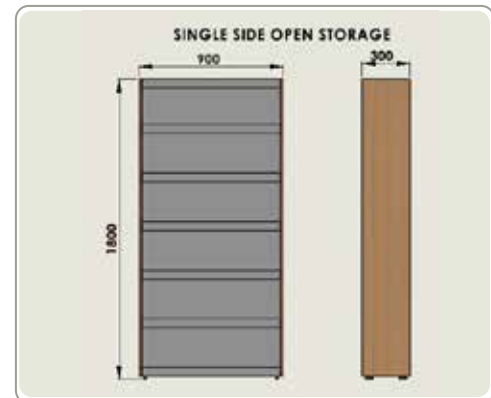
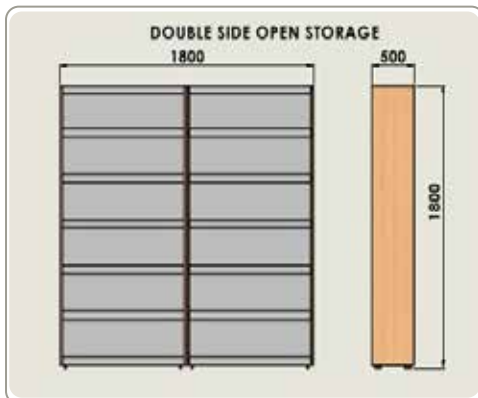
**DOUBLE SIDE OPEN STORAGE**

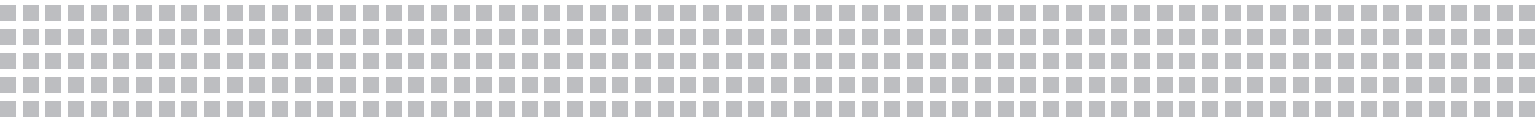
Size : L 1800 x W 500 x H 1800



**SINGLE SIDE OPEN STORAGE**

Size : L 900 x W 300 x H 1800





## LIBRARY SERIES



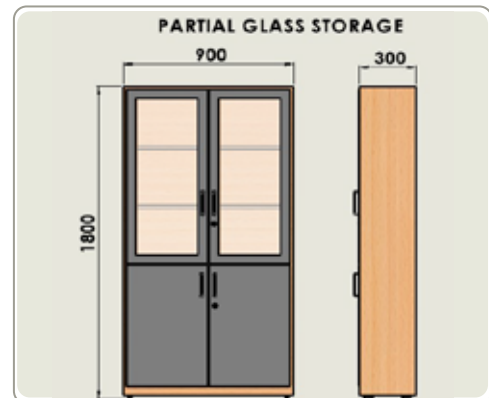
**GLASS STORAGE**

Size : L 900 x W 300 x H 1800



**PARTIAL STORAGE**

Size : L 900 x W 300 x H 1800

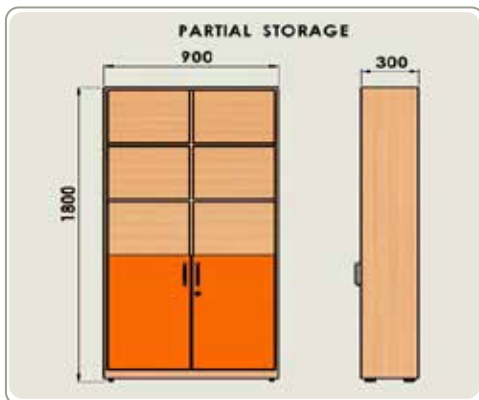




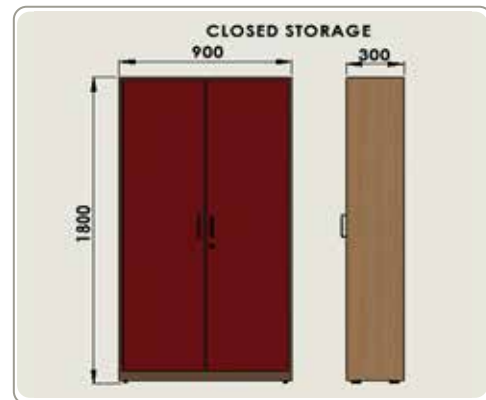
## LIBRARY SERIES



**PARTIAL OPEN STORAGE**  
Size : L 900 x W 300 x H 1800



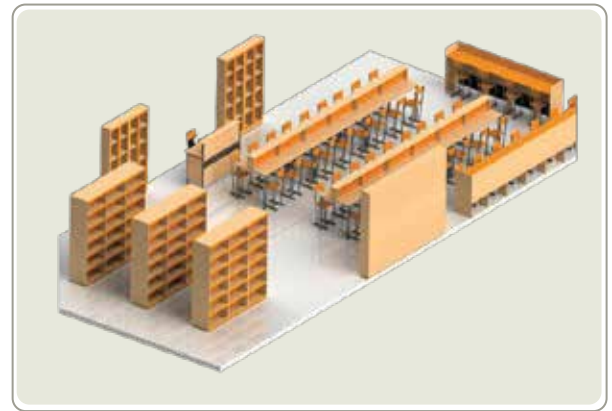
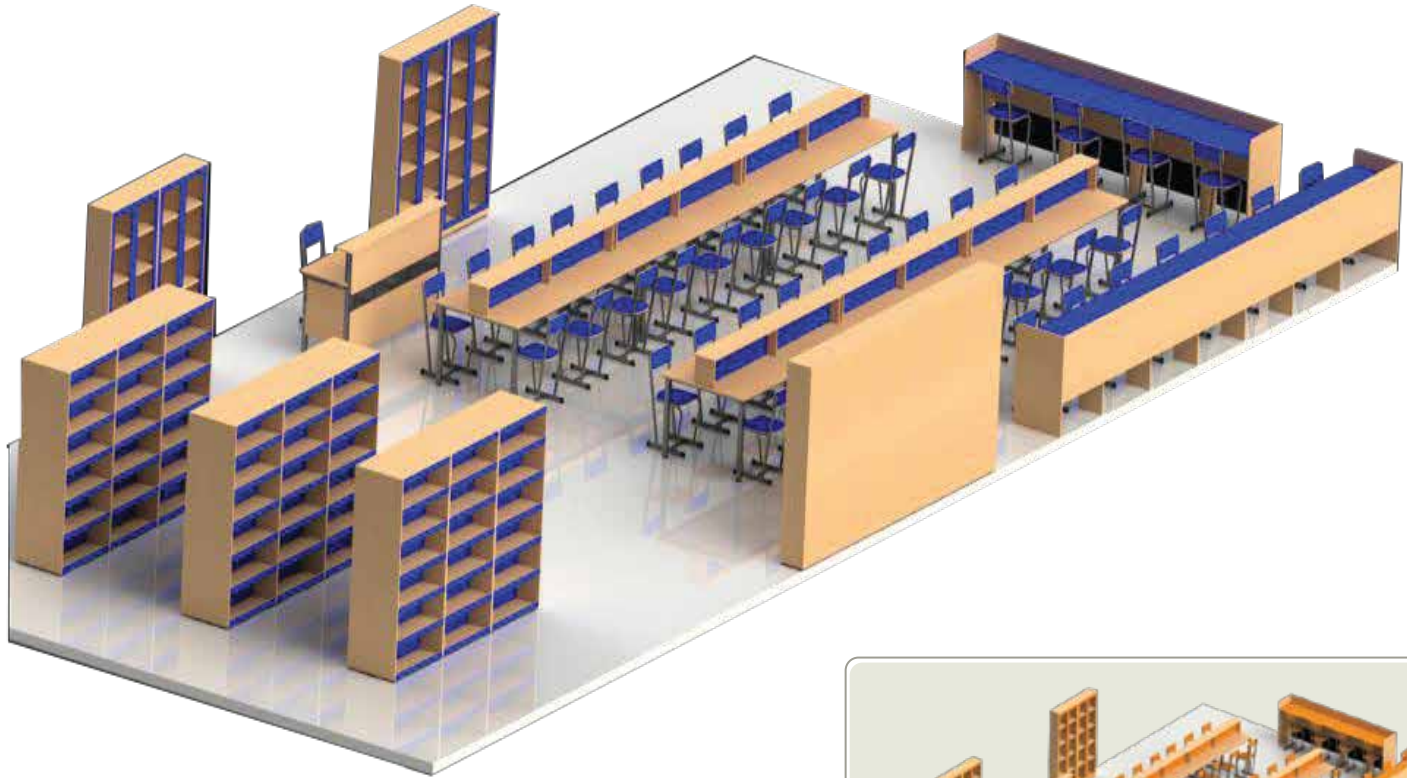
**CLOSED STORAGE**  
Size : L 900 x W 300 x H 1800







## LIBRARY SERIES



LIBRARY LAYOUT



**TECH FACE**

TOWARDS EXCELLENCE

**HOSTEL  
FURNITURE**

**TECH FACE FURNITURES INDIA PVT LTD**

57-B, Shanthi Farms, Thanneerpanthal Road, Near Kumudham Nagar, Coimbatore - 641035.

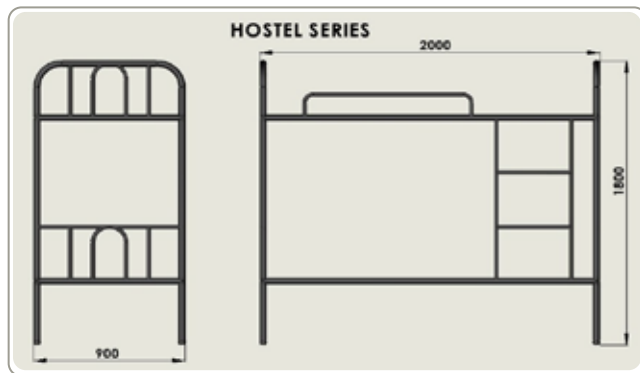


## HOSTEL SERIES



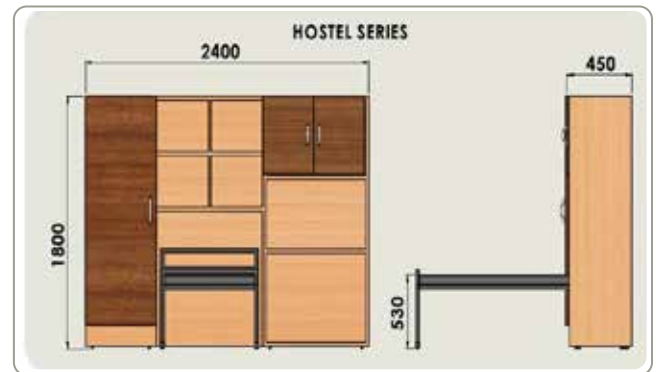
**HF : 001**

Size : L 2000 x W 900 x H 1800



**HF : 002**

Size : L 2400 x W 450 x H 1800



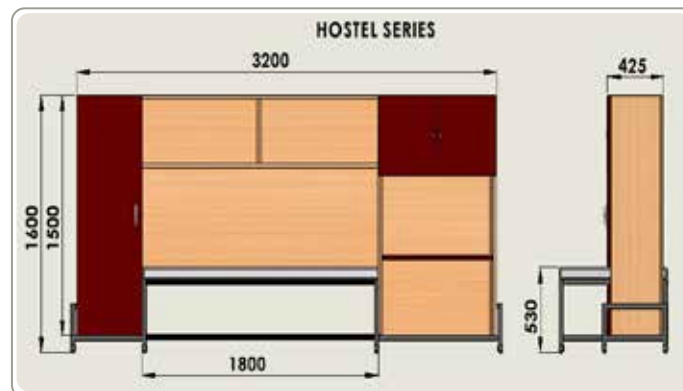


## HOSTEL SERIES



**HF : 003**

Size : L3200 x W 425 x H 1600





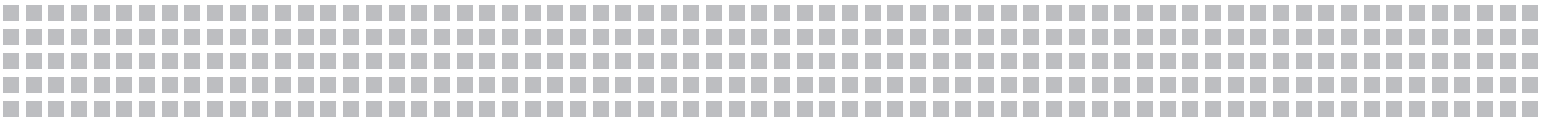
**TECH FACE**

TOWARDS EXCELLENCE

**WRITING PAD  
CHAIR**

**TECH FACE FURNITURES INDIA PVT LTD**

57-B, Shanthi Farms, Thanneerpanthal Road, Near Kumudham Nagar, Coimbatore - 641035.



## WRITING PAD CHAIR SERIES



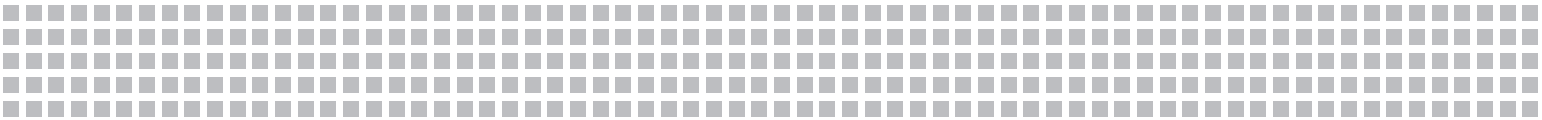
WPC : 007



WPC : 008



WPC : 009



## WRITING PAD CHAIR SERIES



WPC : 010



WPC : 011



WPC : 012





**WRITING PAD CHAIR SERIES**



**WPC : 013**



**WPC : 014**



**WPC : 015**



# TECH FACE

TOWARDS EXCELLENCE

## TECH FACE FURNITURES INDIA PVT LTD

Plot No-31, HIG - 1, Eri Scheme  
1" Main Road ( Near Ambedkar Ground)  
Mogappair, Chennai - 600 037.  
e-mail : [enquiry@techfaceindia.com](mailto:enquiry@techfaceindia.com)  
website : [www.techfaceindia.com](http://www.techfaceindia.com)

No-57-B, Shanthi Farms,  
Thanneerpanthal Road, Near Kumdham Nagar,  
Coimbatore - 641 035.  
e-mail : [enquiry@techfaceindia.com](mailto:enquiry@techfaceindia.com)  
website : [www.techfaceindia.com](http://www.techfaceindia.com)